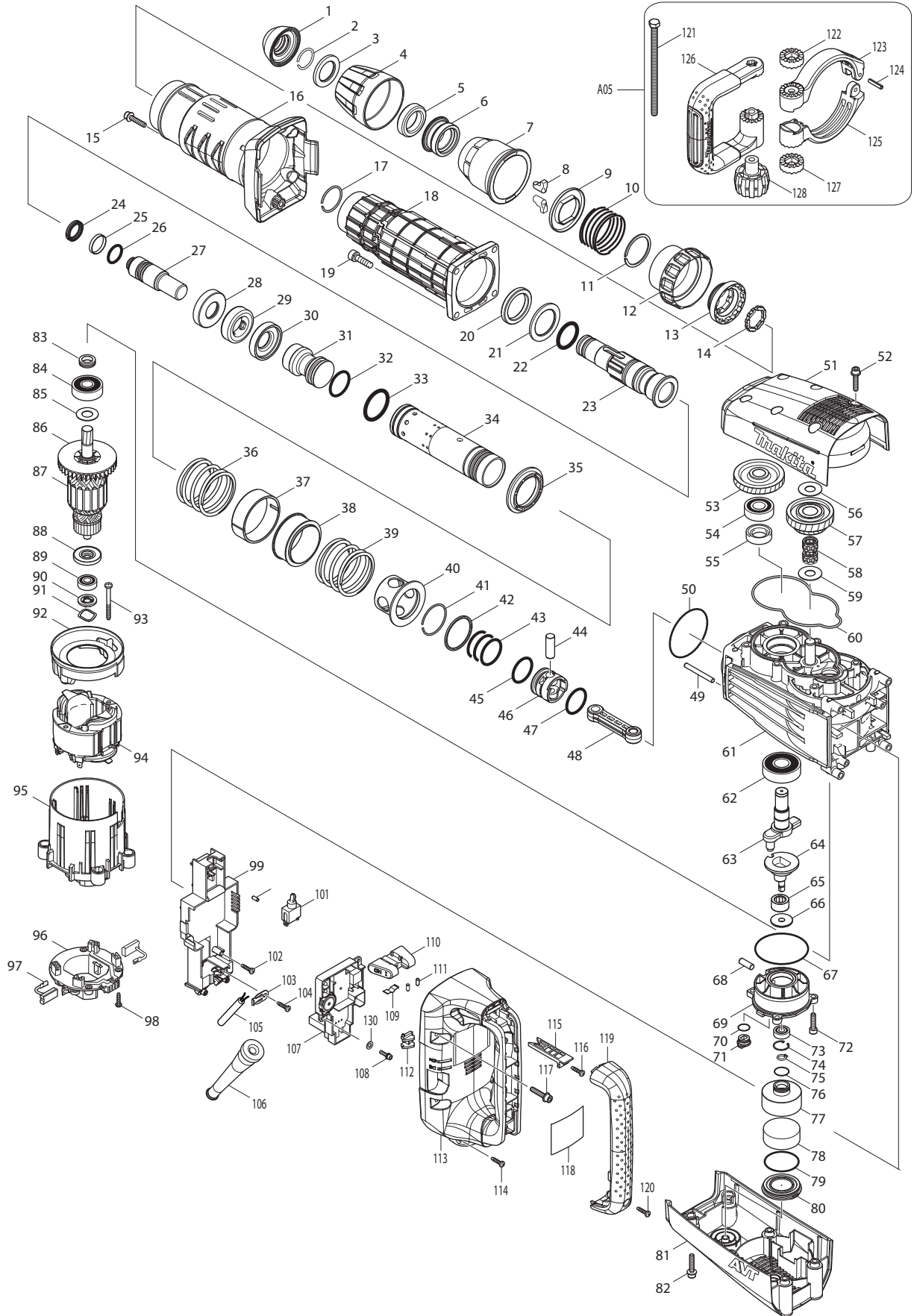




04 - 2009
HM1214C
27.1LB Demolition Hammer



Item No	Type	Ref	Part No	Description (*See Service Changes)	Qty	Unit
001			424165-8	TOOL HOLDER CAP	1	PC.
002			233973-4	RING SPRING 26	1	PC.
003			267386-7	FLAT WASHER 30	1	PC.
004			450894-7	CHUCK COVER	1	PC.
005			262147-0	RUBBER RING 30	1	PC.
006			324987-5	CHUCK RING	1	PC.
007			450895-5	RELEASE COVER	1	PC.
008			310279-8	TOOL RETAINER	2	PC.
009			346015-6	SPRING GUIDE	1	PC.
010			234086-4	COMPRESSION SPRING 56	1	PC.
011			961232-3	RETAINING RING WR-45	1	PC.
012			450893-9	CHANGE RING COVER	1	PC.
013			324969-7	CHANGE RING	1	PC.
014			324988-3	LOCK RING	1	PC.
015			266499-1	H.S HEAD BOLT M6X30 WITH GM	1	PC.
016			451113-4	BARREL COVER	1	PC.
017			233970-0	RING SPRING 35	1	PC.
018	2		141786-8	BARREL COMPLETE	1	PC.
019			266010-9	HEX. SOCKET HEAD BOLT M8X30	4	PC.
020			262148-8	RUBBER RING 39	1	PC.
021			267387-5	FLAT WASHER 39	1	PC.
022			213079-4	O-RING 35.5	1	PC.
023			324985-9	TOOL HOLDER	1	PC.
024			213980-3	X-RING 21	1	PC.
025			213431-6	FLUORIDE RING 28	1	PC.
026			213394-6	O RING 23	1	PC.
027			325681-2	IMPACT BOLT	1	PC.
028			324993-0	SHOULDER SLEEVE	1	PC.
029			262149-6	RUBBER RING 24	1	PC.
030			324993-0	SHOULDER SLEEVE	1	PC.
031			325680-4	STRIKER	1	PC.
032			213499-2	O-RING 31.5	1	PC.
033			213581-7	O-RING 44	1	PC.
034			331856-3	CYLINDER 40	1	PC.
035			451110-0	CYLINDER GUIDE	1	PC.
036			234107-2	COMPRESSION SPRING 58	1	PC.
037			451103-7	WEIGHT GUIDE	1	PC.
038			331854-7	COUNTER WEIGHT	1	PC.
039			234107-2	COMPRESSION SPRING 58	1	PC.
040			325661-8	SLIDE SLEEVE	1	PC.
041			231985-1	RING SPRING 43	1	PC.
042			257297-4	RING 45	1	PC.
043			213510-0	O RING 36	3	PC.
044			268121-6	PIN 12	1	PC.
045			213499-2	O-RING 31.5	1	PC.
046			450961-8	PISTON	1	PC.
047			213149-9	O RING 35	1	PC.
048			450890-5	CONNECTING ROD	1	PC.
049			268235-1	PIN 6	1	PC.
050			213754-2	O RING 71	1	PC.
051			451115-0	GEAR COVER	1	PC.
052			266499-1	H.S HEAD BOLT M6X30 WITH GM	6	PC.
053			226699-5	HELICAL GEAR 52	1	PC.
054	2		211290-2	* BALL BEARING 6203ZZ	1	PC
	3		211256-2	* BALL BEARING 6203LLB	1	PC

Item No	Type	Ref	Part No	Description (*See Service Changes)	Qty	Unit
056			267166-1	FLAT WASHER 14	1	PC.
057			226155-5	GEAR COMPLETE 34-48	1	PC.
058			212159-3	NEEDLE CAGE 1412	2	PC.
059			267166-1	FLAT WASHER 14	1	PC.
060			424196-7	SEAL RING	1	PC.
061			158983-9	CRANK HOUSING COMPLETE	1	PC.
062			211327-5	BALL BEARING 6304LLU	1	PC.
063			325659-5	CRANK SHAFT	1	PC.
064			325660-0	COUNTER SHAFT	1	PC.
065			212225-6	NEEDLE BEARING 1613	1	PC.
066			325662-6	SHOULDER WASHER 8	1	PC.
067			213754-2	O RING 71	1	PC.
068			268222-0	PIN 8	1	PC.
069			158985-5	BEARING BOX COMPLETE	1	PC.
070			213176-6	O RING 14	1	PC.
071			451104-5	GREASE CAP	1	PC.
072			266087-4	HEX.BOLT M6X25	3	PC.
073	2		210223-4	BALL BEARING 608ZZ	1	PC.
074			962112-6	RETAINING RING R-22	1	PC.
075			961004-6	RETAINING RING S-8	1	PC.
076			213262-3	O RING 18	1	PC.
077			451108-7	FILTER CASE	1	PC.
078			443147-1	FILTER	1	PC.
079			213569-7	O RING 45	1	PC.
080			451109-5	FILTER CASE COVER	1	PC.
081			451116-8	REAR COVER	1	PC.
082			266499-1	H.S HEAD BOLT M6X30 WITH GM	6	PC.
083			331855-5	SEALING SCREW	1	PC.
084			211249-9	BALL BEARING 6302LLU	1	PC.
085			267397-2	FLAT WASHER 15	1	PC.
086			240003-4	FAN 80	1	PC.
087			517836-5	ARMATURE ASSEMBLY 115V	1	PC.
		INC.		Item No. 84-86, 88, 89		
088			681642-5	INSULATION WASHER	1	PC.
089			210059-1	BALL BEARING 6000DDW	1	PC.
090			451107-9	WASHER GUIDE	1	PC.
091			267809-5	WAVE WASHER 19	1	PC.
092			451111-8	BAFFLE PLATE	1	PC.
093			266095-5	TAPPING SCREW 5X55	2	PC.
094			636301-6	FIELD 115V	1	PC.
095			451117-6	MOTOR HOUSING	1	PC.
096	2		632D00-2	BRUSH HOLDER UNIT	1	PC.
097	2		195845-0	AC CARBON BRUSH CB-175 2PC/SET (W/ ORIGIN)	1	SET
098			265995-6	TAPPING SCREW 4X18	4	PC.
099			158986-3	* CONTROLLER COVER COMPLETE	1	PC.
100			263027-3	RUBBER PIN 4	1	PC.
101			651423-1	SWITCH	1	PC.
102			265995-6	* TAPPING SCREW 4X18	2	PC.
103			687169-3	STRAIN RELIEF	1	PC.
104			265995-6	TAPPING SCREW 4X18	1	PC.
105			664471-1	CORD W/PLUG 2-14-5.0M, SJ	1	PC.
106			682560-0	CORD GUARD 10	1	PC.
107	2		620225-6	* CONTROLLER	1	PC.
108	2		266834-3	* HEX. SOCKET HEAD BOLT M4X18 WITH GM	2	PC.
109			232209-8	LEAF SPRING	1	PC.

Item No	Type	Ref	Part No	Description (*See Service Changes)	Qty	Unit
110			451112-6	SLIDE LEVER	1	PC.
111			263027-3	RUBBER PIN 4	2	PC.
112			451105-3	LENS	1	PC.
113			451118-4	HANDLE	1	PC.
114			265995-6	TAPPING SCREW 4X18	1	PC.
115			451106-1	SWITCH LEVER	1	PC.
116			265995-6	TAPPING SCREW 4X18	1	PC.
117			266499-1	H.S HEAD BOLT M6X30 WITH GM	4	PC.
118	1		866749-0	HM1214C NAME PLATE	1	PC.
	2		858S22-6	HM1214C NAME PLATE	1	PC.
119			451119-2	HANDLE COVER	1	PC.
120			265995-6	TAPPING SCREW 4X18	2	PC.
121			265439-6	HEX. BOLT M8X150	1	PC.
122			417002-3	SIDE HANDLE CAM	1	PC.
123			318430-4	SIDE HANDLE BASE 90A	1	PC.
124			951166-8	SPRING PIN 5-24	1	PC.
125			318431-2	SIDE HANDLE BASE 90B	1	PC.
126			417003-1	SIDE HANDLE	1	PC.
127			417002-3	SIDE HANDLE CAM	1	PC.
128			252640-2	WING NUT M8	1	PC.
200			652008-6	PAN HEAD SCREW M3.5 X 7(F/SWITCH)	2	PC.

ACCESSORIES

- See catalogue or visit www.makita.ca for more accessories information -

A01			751423-A	SDS-MAX BULL POINT 12"	1	PC.
	1		A-80787	SDS-MAX BULL POINT 12" (MC USE 751423-A)	1	PC.
	2		D-36463	SDS-MAX BULL POINT CHISEL 12"	1	PC.
A02	2		194683-7	GREASE VESSEL SET, 100CC, PUMP TYPE, FOR BIT	1	PC.
A03			443122-7	CLOTH	1	PC.
A04			824882-4	PLASTIC CARRYING CASE	1	PC.
		INC.	162271-8	LATCH	2	PC.
A05			135283-4	SIDE HANDLE 90 ASSEMBLY (D-Style Handle)	1	PC.
		INC.		Item No. 121-128		
A06			195114-9	HAMMER SERVICE KIT	1	PC.
		INC.	213431-6	FLUORIDE RING 28	1	PC.
		INC.	262148-8	RUBBER RING 39	1	PC.
		INC.	262149-6	RUBBER RING 24	1	PC.
		INC.	213079-4	O RING 35.5	1	PC.
		INC.	213499-2	O RING 31.5	2	PC.
		INC.	213149-9	O RING 35	1	PC.
		INC.	213394-6	O RING 23	1	PC.
		INC.	213980-3	X RING 21	1	PC.
		INC.	424165-8	TOOL HOLDER CAP	1	PC.
	2	INC.	A-90582	MAKITA GREASE R NO.00 30CC (1OZ)	2	PC.
	3	INC.	195845-0	AC CARBON BRUSH CB-175 2PC/SET (W/ ORIGIN)	1	SET
A07	1		196571-4	DUST EXTRACTOR ATTACHMENT SET	1	PC.
		INC.	142350-8	HOSE COMPLETE 28 - 1.5	1	PC.
		INC.	415021-3	HOSE JOINT	1	PC.
		INC.	454749-8	HOSE HOLDER A	1	PC.
		INC.	454750-3	HOSE HOLDER B	1	PC.
		INC.	454809-6	HOSE HOLDER C	1	PC.
		INC.	195545-2	FRONT CUFF 38 PKG (BULK# 417766-9)	1	PC.
		INC.	195547-8	FRONT CUFF 22	1	PC.
	2		199019-5	DUST EXTRACTOR ATTACHMENT SET	1	PC.
		INC.	415021-3	HOSE JOINT	1	PC.

Item No	Type	Ref	Part No	Description (*See Service Changes)	Qty	Unit
	INC.		454749-8	HOSE HOLDER A	1	PC.
	INC.		454750-3	HOSE HOLDER B	1	PC.
	INC.		454809-6	HOSE HOLDER C	1	PC.
	INC.		195545-2	FRONT CUFF 38 PKG (BULK# 417766-9)	1	PC.
	INC.		195547-8	FRONT CUFF 22	1	PC.

SERVICE CHANGES

1. Changes on Controller

(T/# 91793, 93668)

(TI#99132)

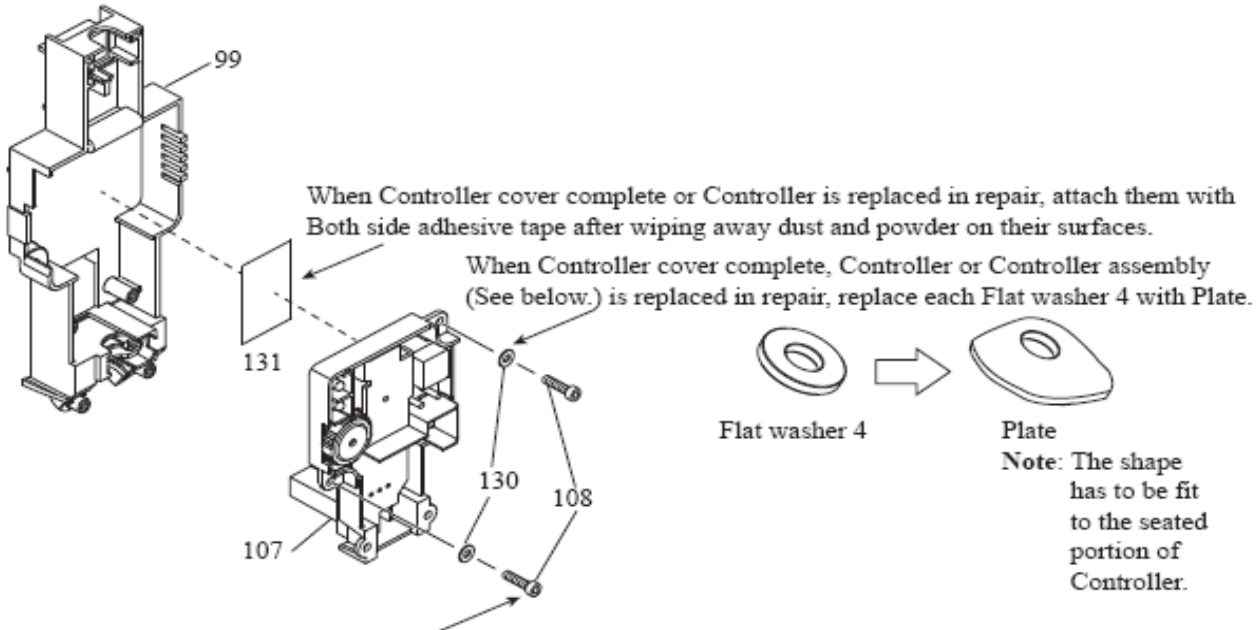
Item No.	Description	Type 1	Type 2	Type 3	Type 4
130	Flat washer / Plate	941051-3 (Flat washer)		346546-5 (Plate)	---
108	H.S.H Bolt	265490-6 (Torque 1-2N.m)		265490-6 (Torque 1-1.2N.m)	266834-3 (M4x18 with GM)
132	Controller Assy	----	126095-6	141803-4	N/L/A
99	Controller Cover Com.			158986-3	
107	Controller		631882-5		620225-6
102	Tapping Screw			265995-6	
131	Adhesive Tape	-----		442180-0	---

Type 1 , Type 2, Type 3: Item No. 130, 108 and 132 are completely interchangeable as a set.

Type 2: No. 99, 107, 102, 131 is component of No. 132 Controller Assy

Type 3, Type 4: Item above are completely interchangeable as a set

After Mar 2013 production



Fastening torque of M4x16 Hex. socket head bolt (Part No. 265490-6 thread locker type) has been changed from 1 up to 2N.m to 1 up to 1.2N.m.

Too overtightening of the bolt causes the damage to Controller of plastic, therefore follow the fastening torque.

Once loosening the bolt, be sure to use the new makita genuine bolt 265490-6 or put ThreeBond 1342/ Loctite 242 on the thread then tighten the bolt.

For easier repairing, Controller assembly (#126095-6) has become available.

Components:

158986-3 Controller cover complete

631882-5 Controller

442180-0 Both side adhesive tape

265995-6 4x18 Tapping screw (2pc)

